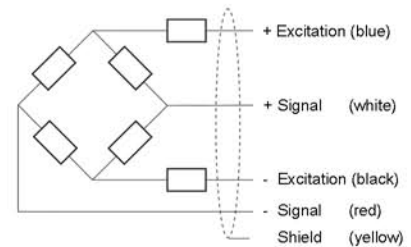
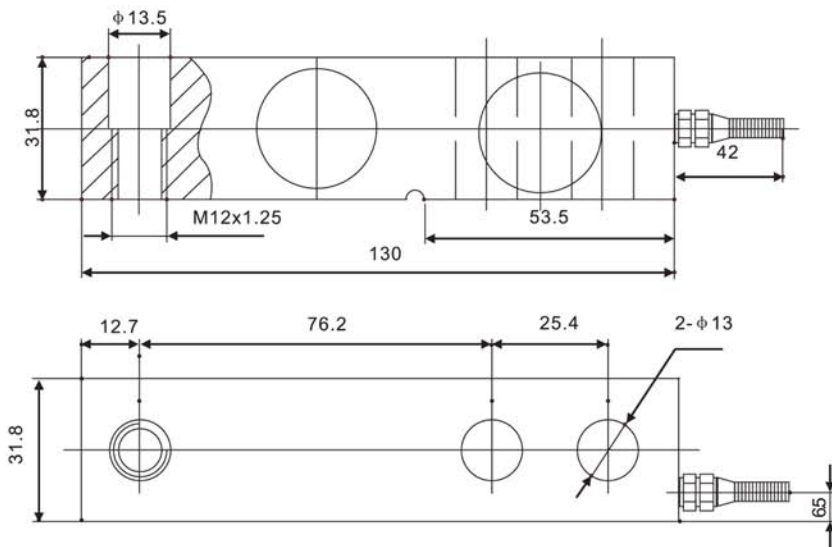


MK - SBR



FEATURE:

- High quality shear beam load cell
- Nickel plated steel with anti corrosive
- Bigger mounting foot for heavy duty application
- Can use for forklift, pallet, low platform scale
- 5 core high quality orange cable



SPECIFICATION

Rated capacities (E _{max})	1, 1.5, 2, 2.5t		
Rated Output	3.0±0.003mV/V	Temperature, operating	-30°C~+70°C
Total error	±0.03%F.S	Maximum safe overload	150%F.S
Creep error (30 min)	±0.02%F.S	Ultimate overload	250%F.S
Zero balance	±1%F.S	Excitation, recommended	10~12V DC
TC ZERO	±0.02%F.S/10°C	Excitation, maximum	15V DC
TC SPAN	±0.02%F.S/10°C	Protection class	IP68
Input resistance	400±10Ω	Construction	Nickel Plated Steel
Output resistance	352±3Ω	Cable	Length: 3m
Insulation resistance	≥5000MΩ		Diameter: Φ 6mm